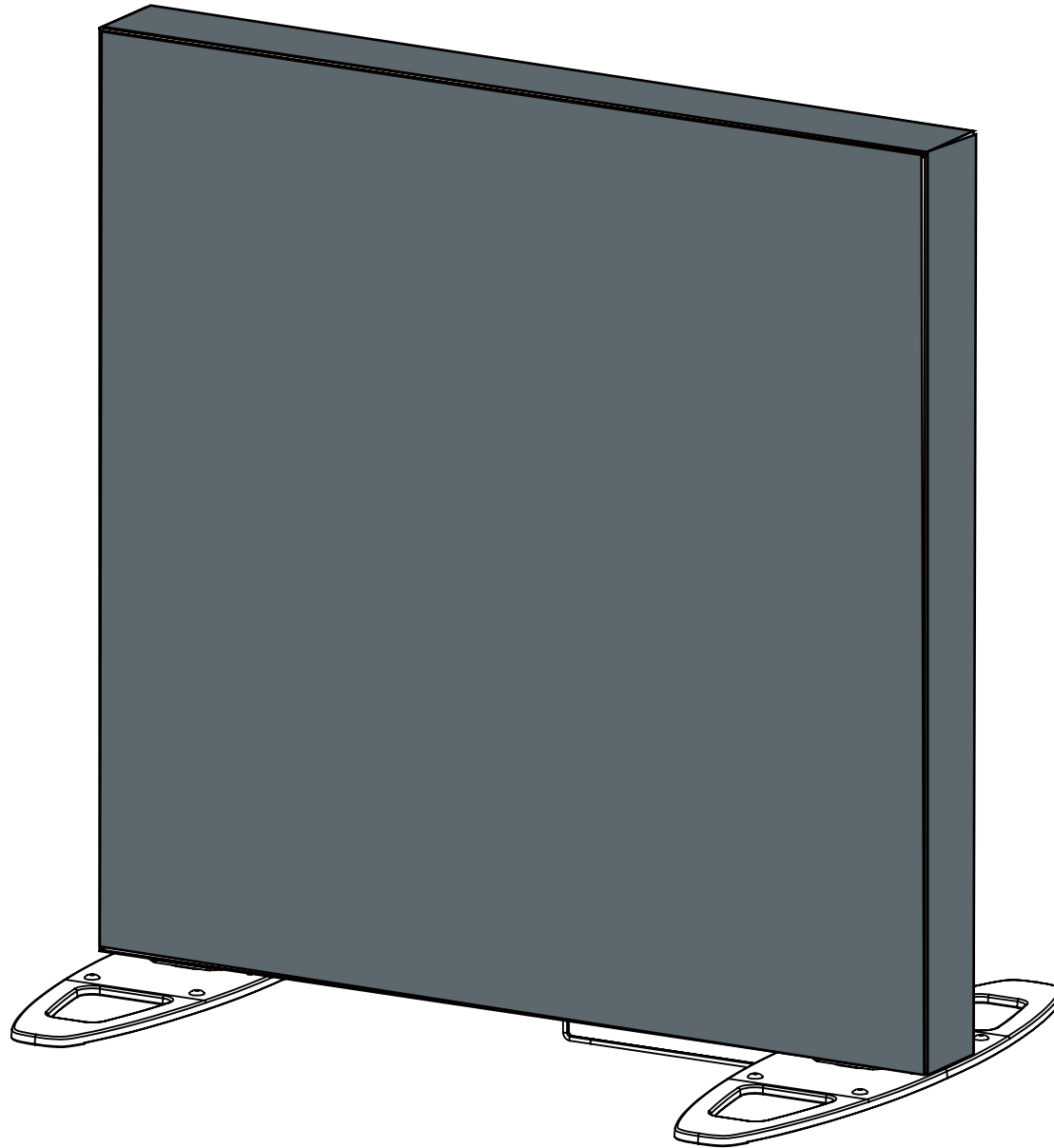
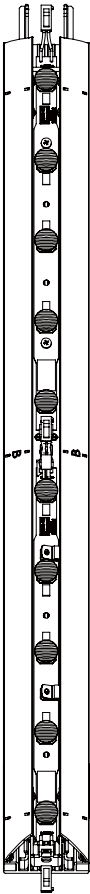


Expand LightBox portable Set-up Instruction

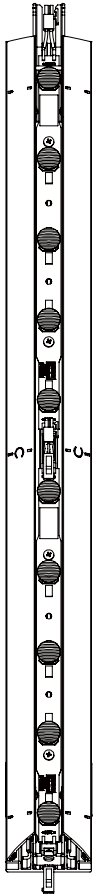


Frames sorted

1.



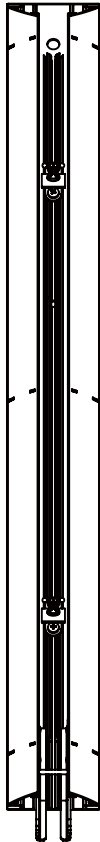
B.
1x



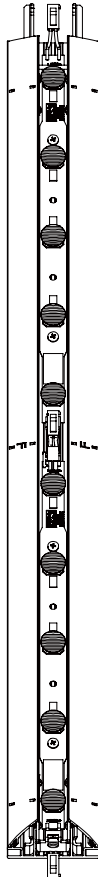
C.
1x



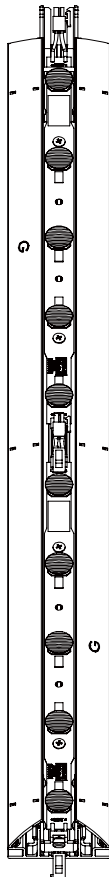
D.
2x



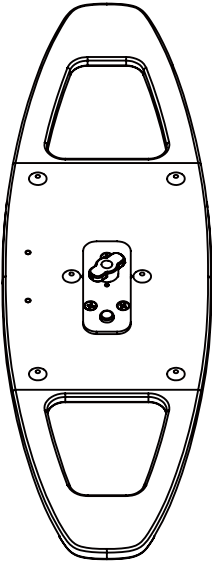
E.
2x



F.
1x



G.
1x



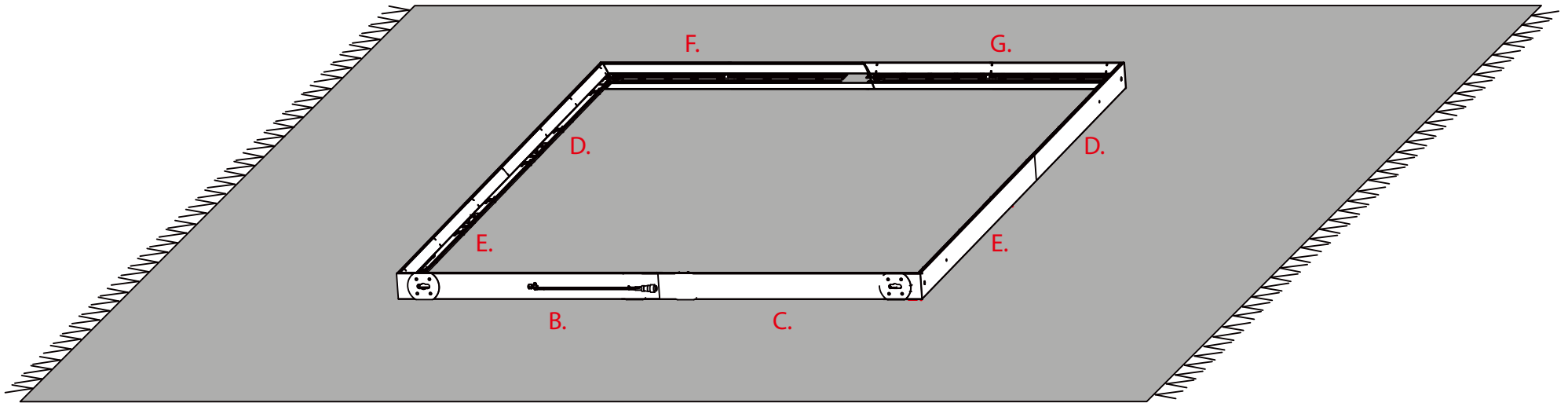
2x



1x

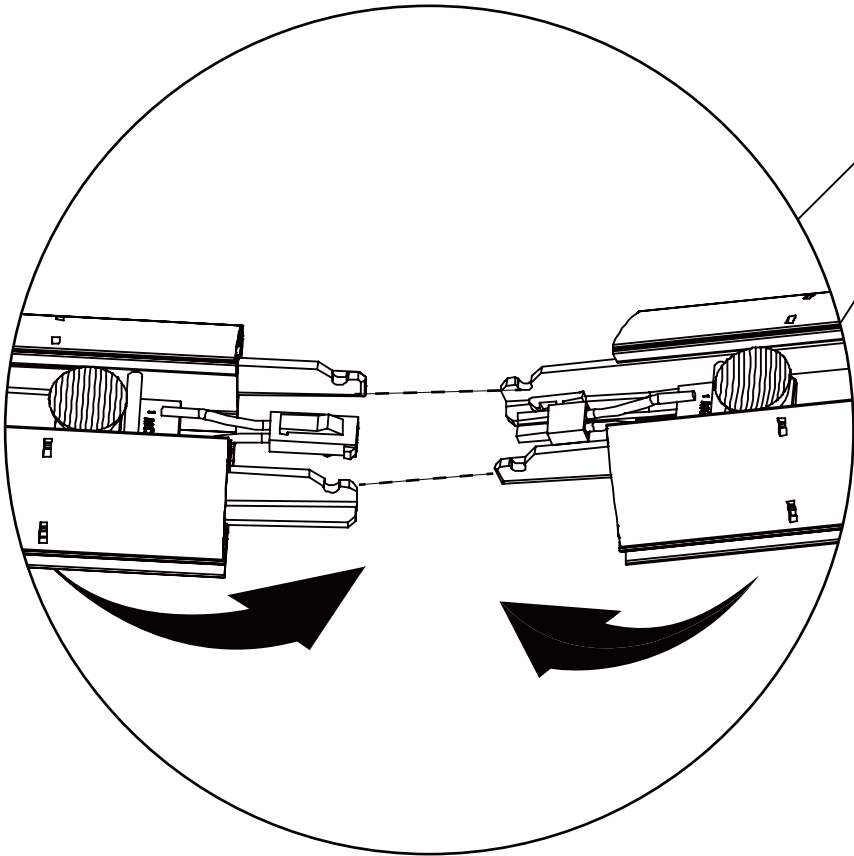
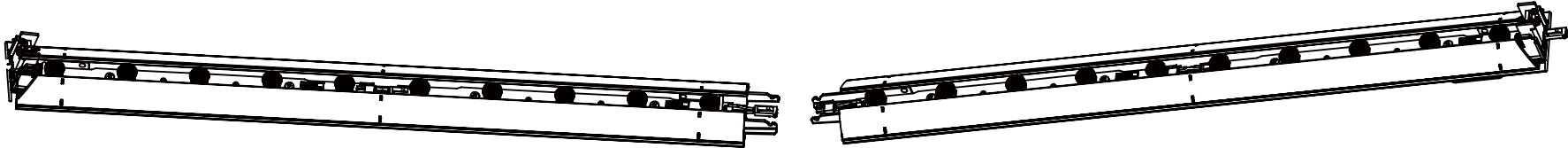
Frames locating on the place

2.

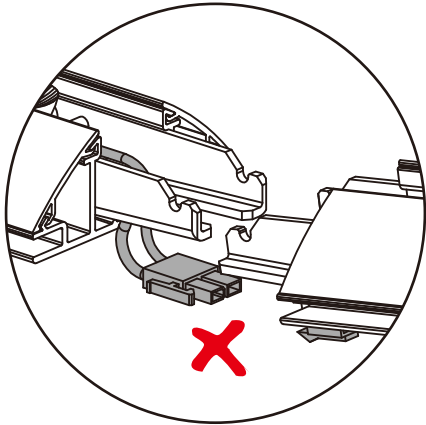
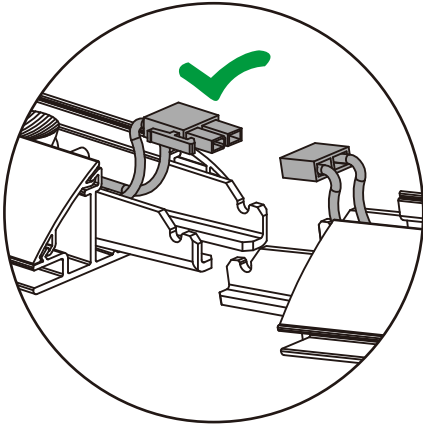


Frames mounting

3.

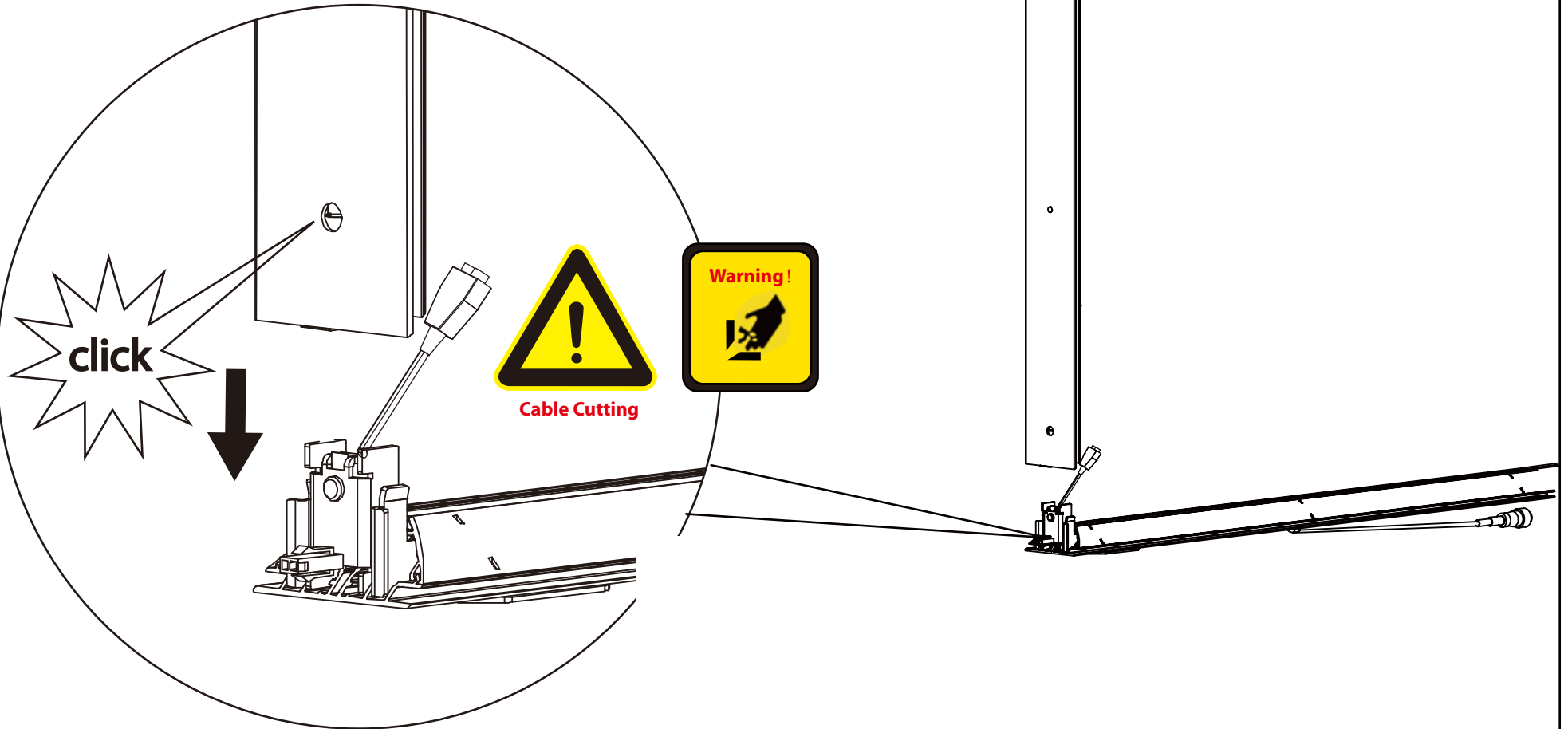


Cable Cutting

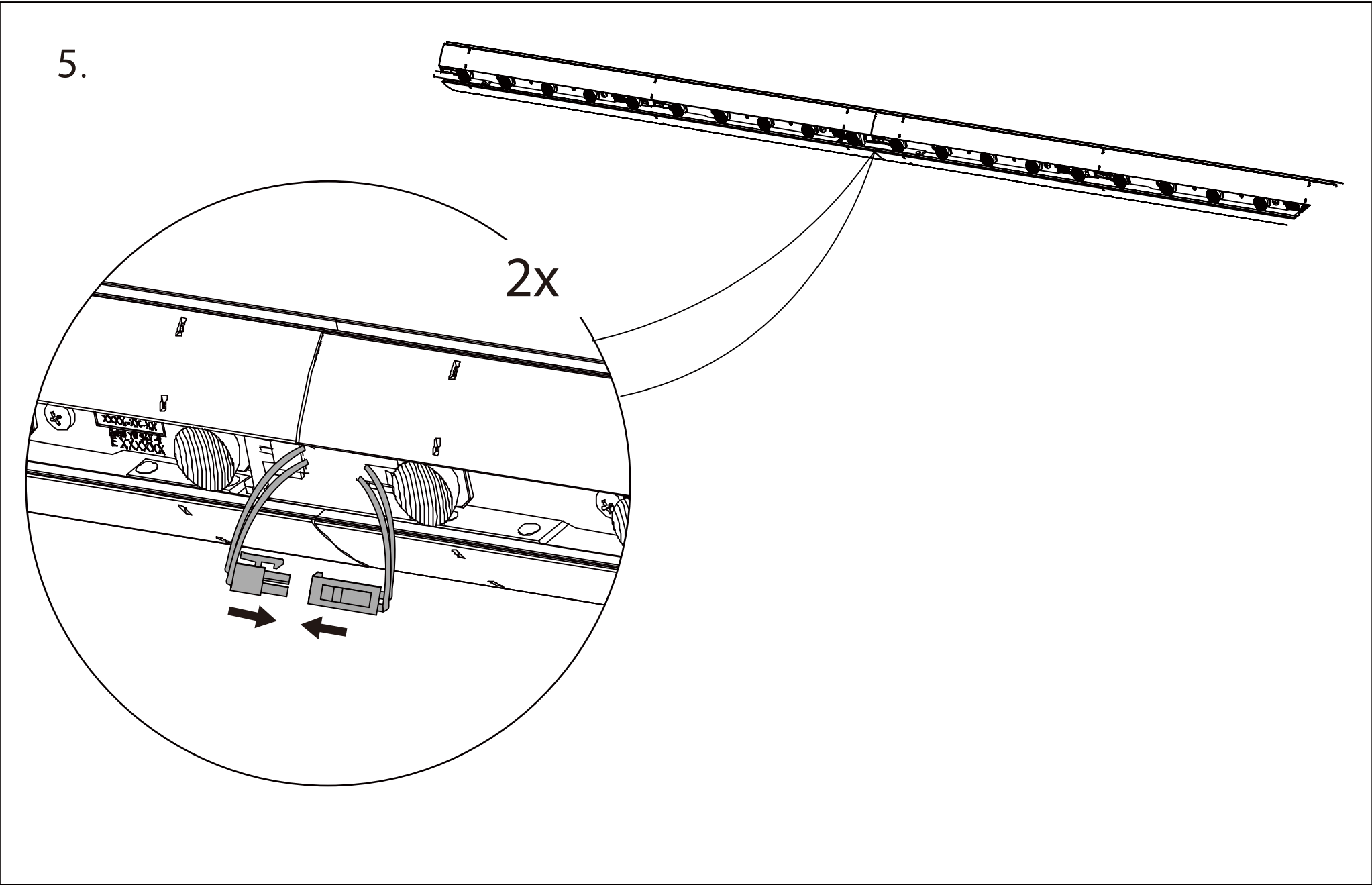


Frames mounting

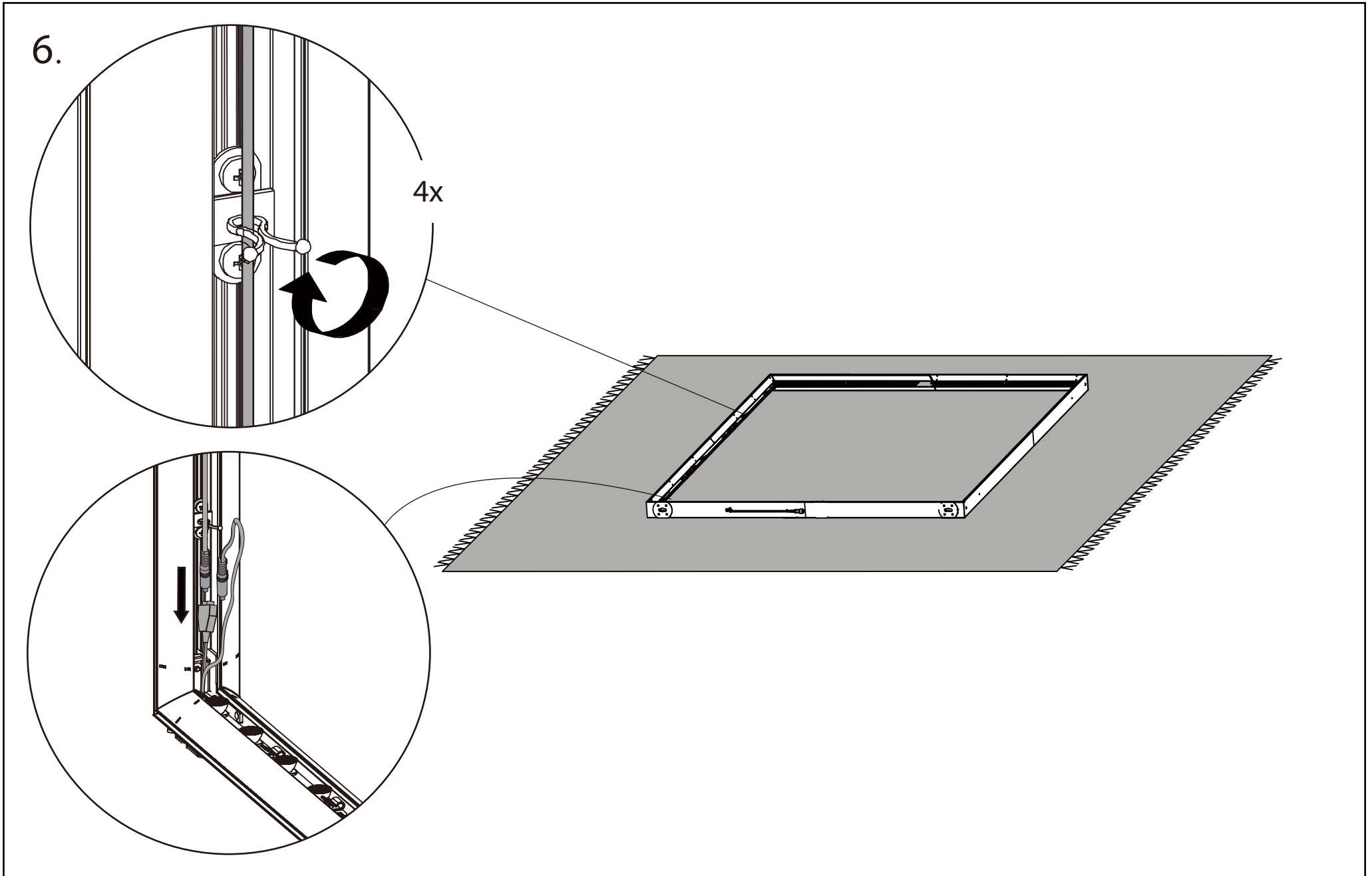
4.



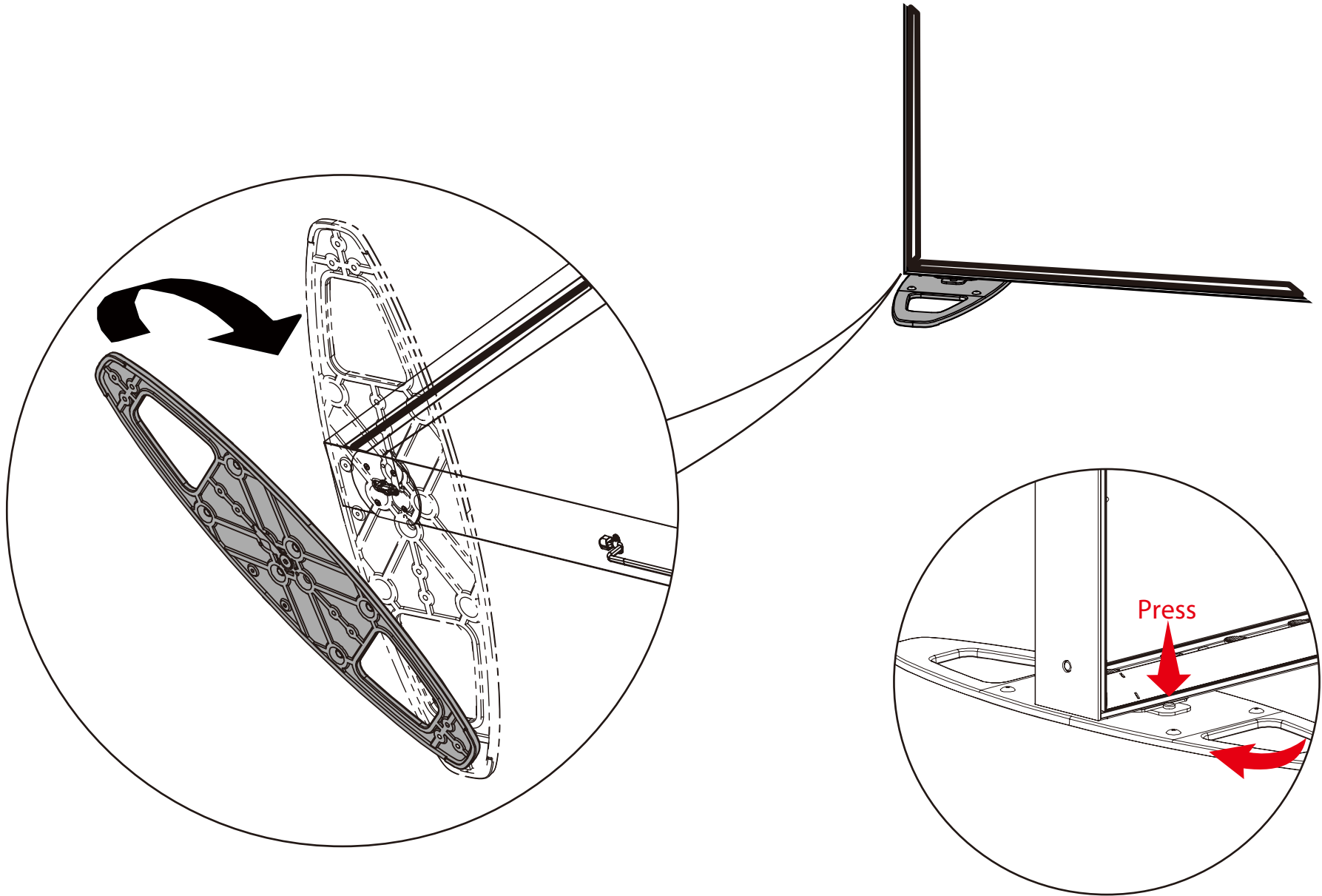
Connectors mounting



Routing

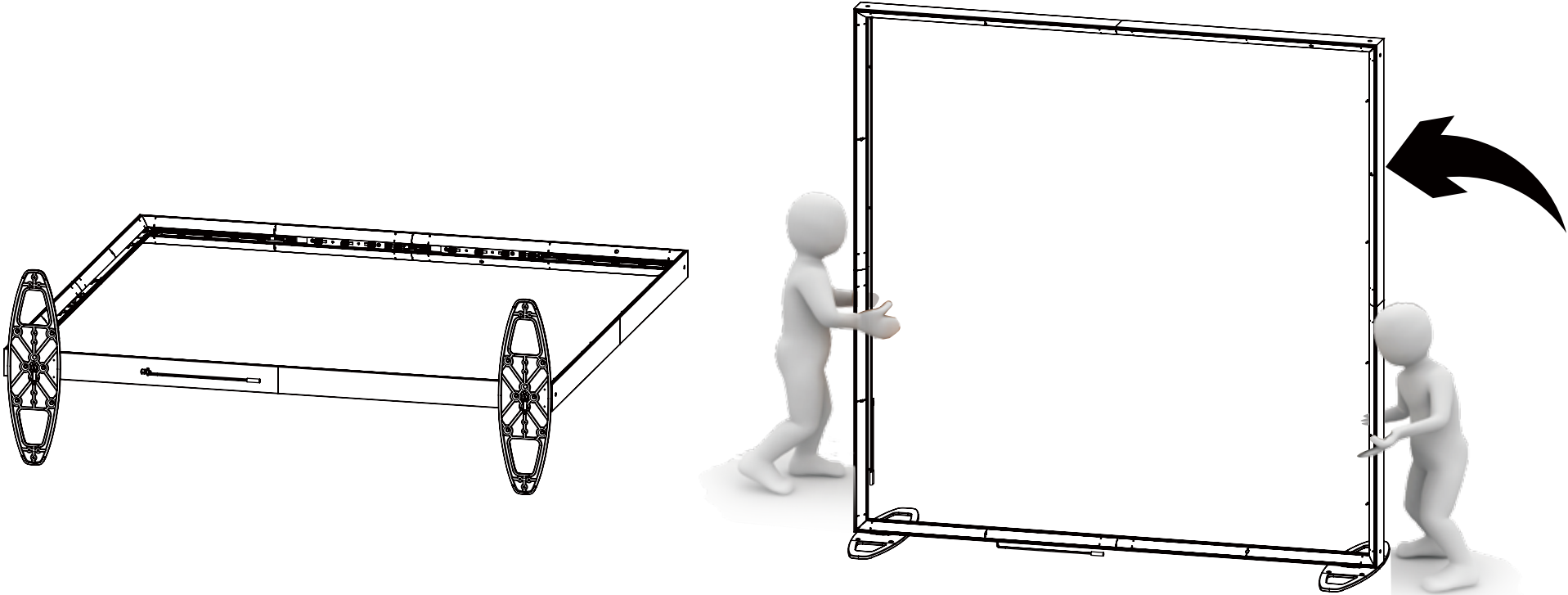


7.



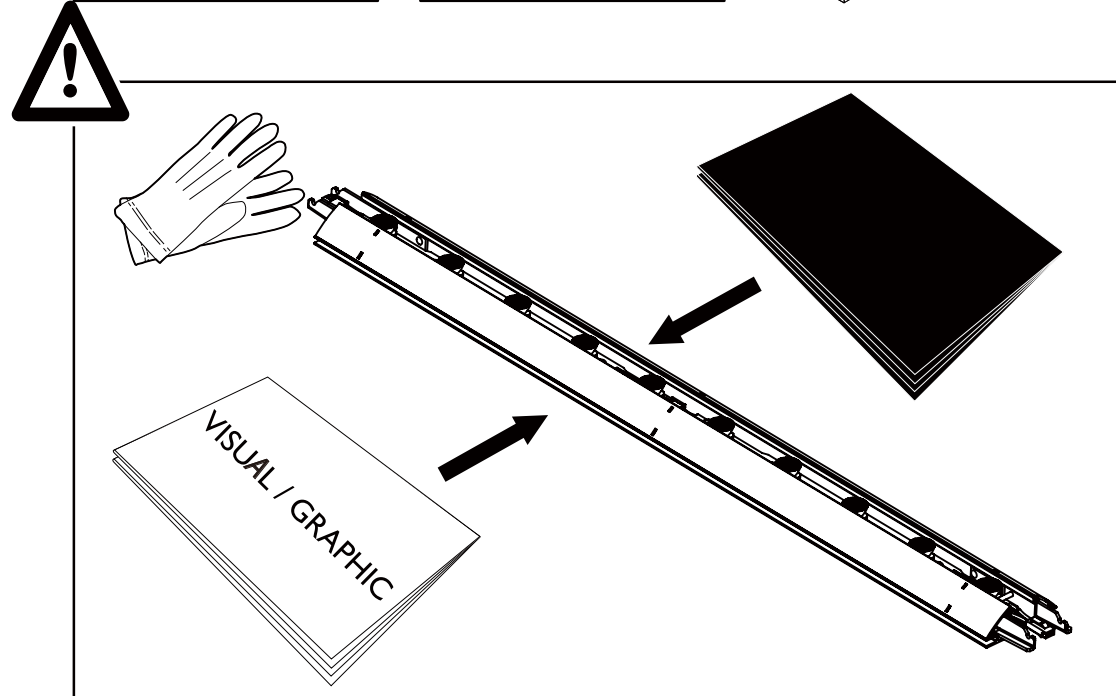
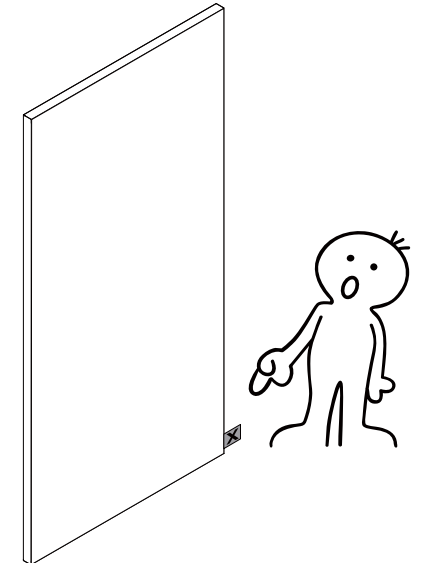
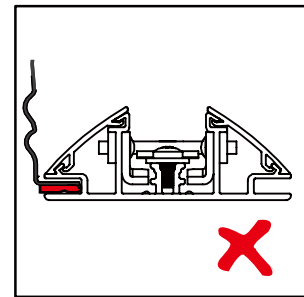
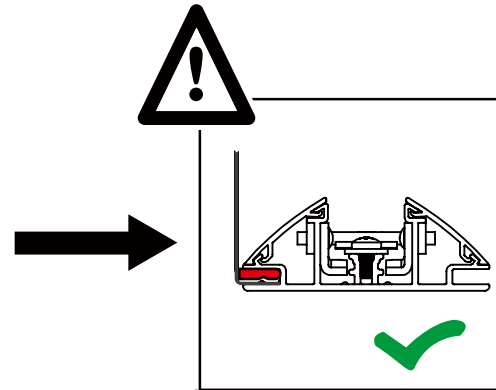
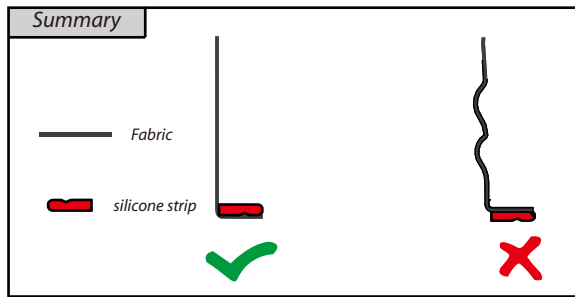
Raise the frame up

8.



Fabric instructions

9.



10.

